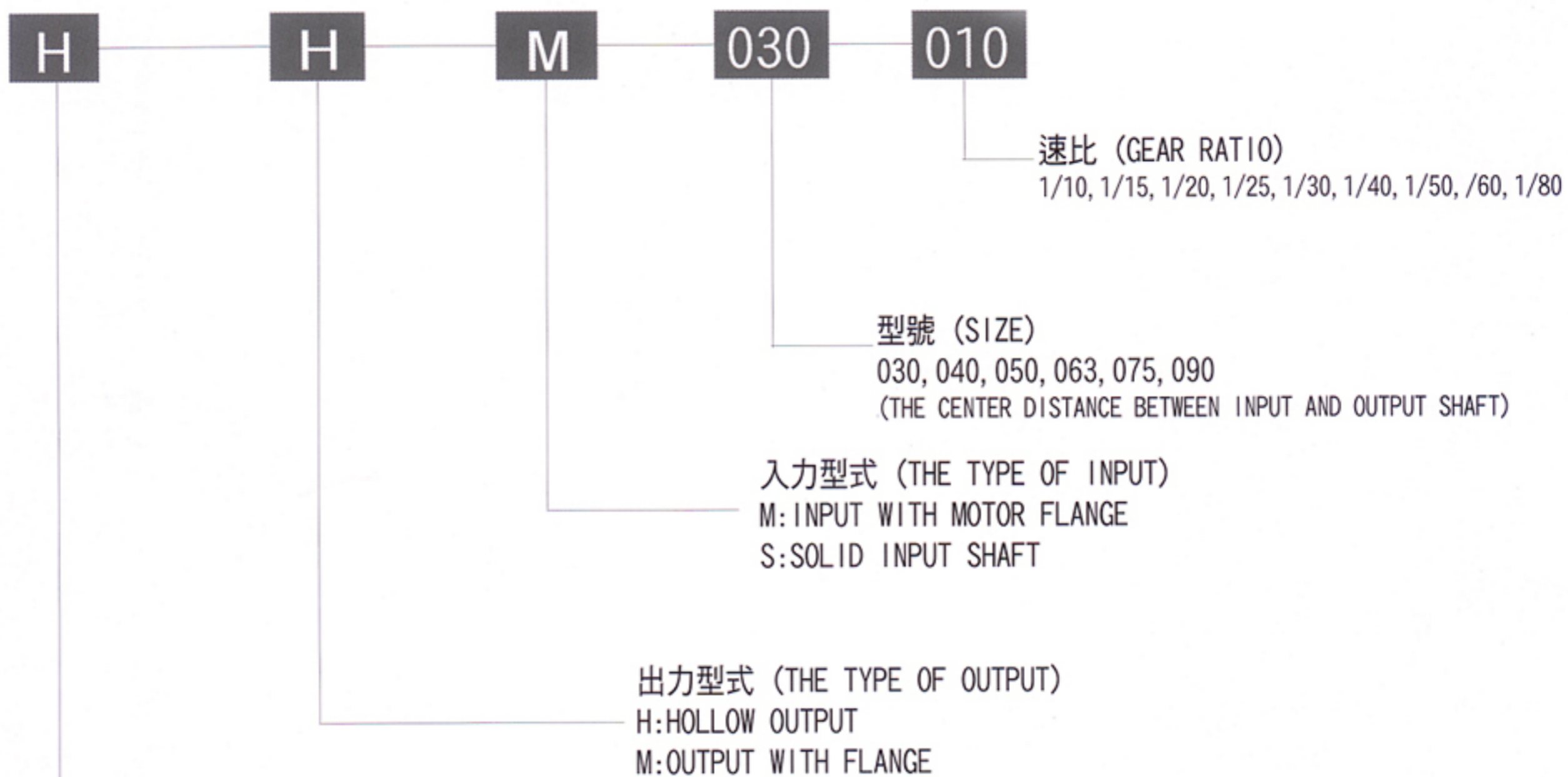


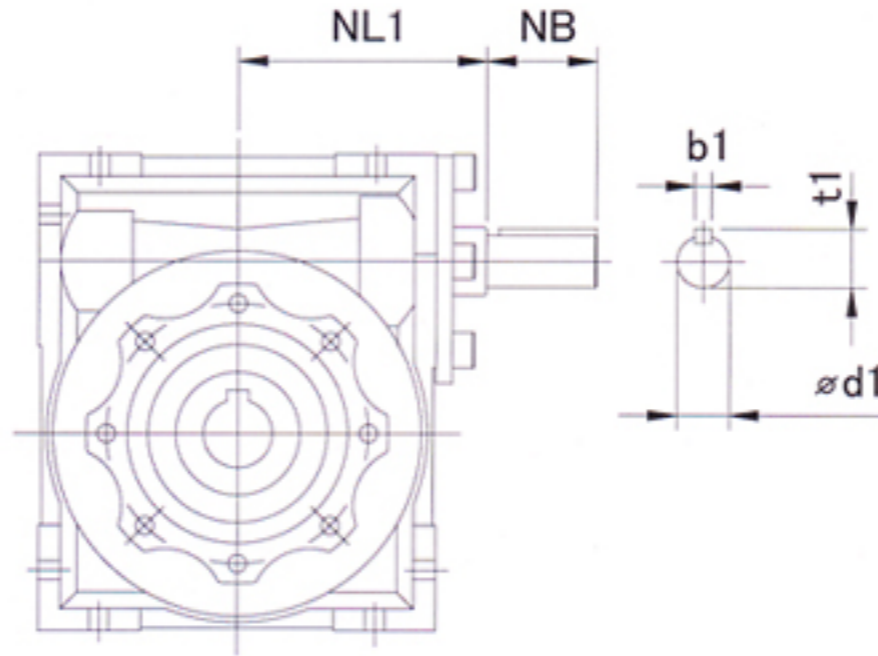
# 鋁殼中空軸之型號編碼說明：



H: 鋁合金外殼 中空軸型式  
(MODEL OF ALUMINUM ALLOY HOUSING)



# HHS



單位(unit): mm

型號SIZE	PAM IEC	入力法蘭FLANGE					入力孔Input Bore			速比 Ratio									
		N	M	P	Z	LE	D	t	b	10	15	20	25	30	40	50	60	80	
30	1/8HP	56B5	80	100	120	7	4	9	10.5	3	●	●	●	●	●	●	●	●	●
	1/8HP	56B14	50	65	80	6	4	9	10.5	3	●	●	●	●	●	●	●	●	●
	1/4HP	63B5	95	115	140	9	4	11	13	4	●	●	●	●	●	●	●	●	●
	1/4HP	63B14	60	75	90	6	4	11	13	4	●	●	●	●	●	●	●	●	●
40	1/4HP	63B5	95	115	140	9	4	11	13	4	●	●	●	●	●	●	●	●	●
	1/4HP	63B14	60	75	90	6	4	11	13	4	●	●	●	●	●	●	●	●	●
	1/2HP	71B5	110	130	160	9	4	14	16.5	5	●	●	●	●	●	●	●	●	●
	1/2HP	71B14	70	85	105	7	4	14	16.5	5	●	●	●	●	●	●	●	●	●
50	1/4HP	63B5	95	115	140	9	4	11	13	4						●	●	●	●
	1/2HP	71B5	110	130	160	9	4	14	16.5	5	●	●	●	●	●	●	●	●	●
	1/2HP	71B14	70	85	105	7	4	14	16.5	5	●	●	●	●	●	●	●	●	●
	1HP	80B5	130	165	200	11	4	19	22	6	●	●	●	●	●				
	1HP	80B14	80	100	120	7	4	19	22	6	●	●	●	●	●				
63	1/2HP	71B5	110	130	160	9	4	14	16.5	5						●	●	●	●
	1/2HP	71B14	70	85	105	7	4	14	16.5	5						●	●	●	●
	1HP	80B5	130	165	200	11	4	19	22	6	●	●	●	●	●	●	●	●	●
	1HP	80B14	80	100	120	7	4	19	22	6	●	●	●	●	●	●	●	●	●
	2HP	90B5	130	165	200	11	4	24	27.3	8	●	●	●	●	●				
	2HP	90B14	95	115	140	7	4	24	27.3	8	●	●	●	●	●				
75	1/2HP	71B5	110	130	160	9	4	14	16.5	5							●	●	●
	1HP	80B5	130	165	200	11	4	19	22	6			●	●	●	●	●	●	●
	1HP	80B14	80	100	120	7	4	19	22	6			●	●	●	●	●	●	●
	2HP	90B5	130	165	200	11	4	24	27.3	8	●	●	●	●	●	●			
	2HP	90B14	95	115	140	7	4	24	27.3	8	●	●	●	●	●	●			
	3HP	100/112B5	180	215	250	14	5	28	32	8	●	●							
	3HP	100/112B14	110	130	160	9	5	28	32	8	●	●							
90	1HP	80B5	130	165	200	11	4	19	22	6						●	●	●	●
	1HP	80B14	80	100	120	7	4	19	22	6						●	●	●	●
	2HP	90B5	130	165	200	11	4	24	27.3	8	●	●	●	●	●	●	●	●	●
	2HP	90B14	95	115	140	7	4	24	27.3	8	●	●	●	●	●	●	●	●	●
	3HP	100/112B5	180	215	250	14	5	28	32	8	●	●	●	●	●				
	3HP	100/112B14	110	130	160	9	4	28	32	8	●	●	●	●	●				

入力法蘭